



House of Ken



Somehow I glued my fingers together making mine. But that's okay, right?



Build Barbie And Her Friends' Homes!

- A: Barbie Dreamhouse**
- B: House of Ken**
- C: The Raquelle Mansion**
- D: House of Nikki**
- E: The Ryan Mansion**
- F: Casa de Teresa**

Your house will look like this:





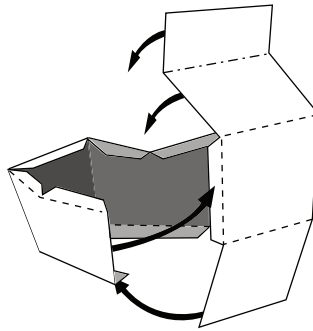
House of Ken

INSTRUCTIONS

1. Use safety scissors to cut around the solid black lines.
Ask a grownup if you need help.

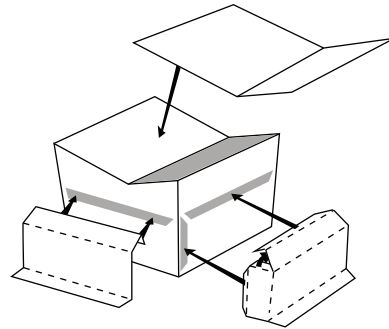


2. Fold along the dotted lines.

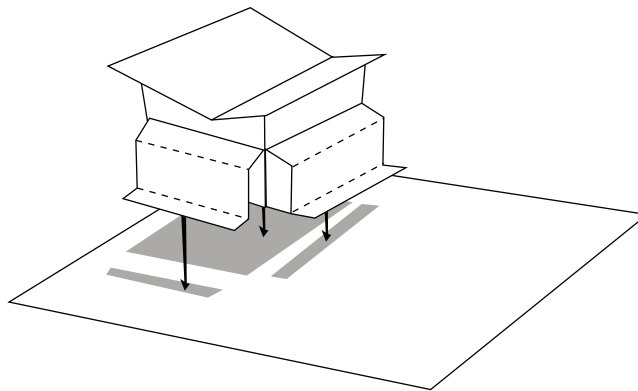


3. Glue tabs in number order.

4. Allow the glue to dry and then glue on the roof and side buildings.



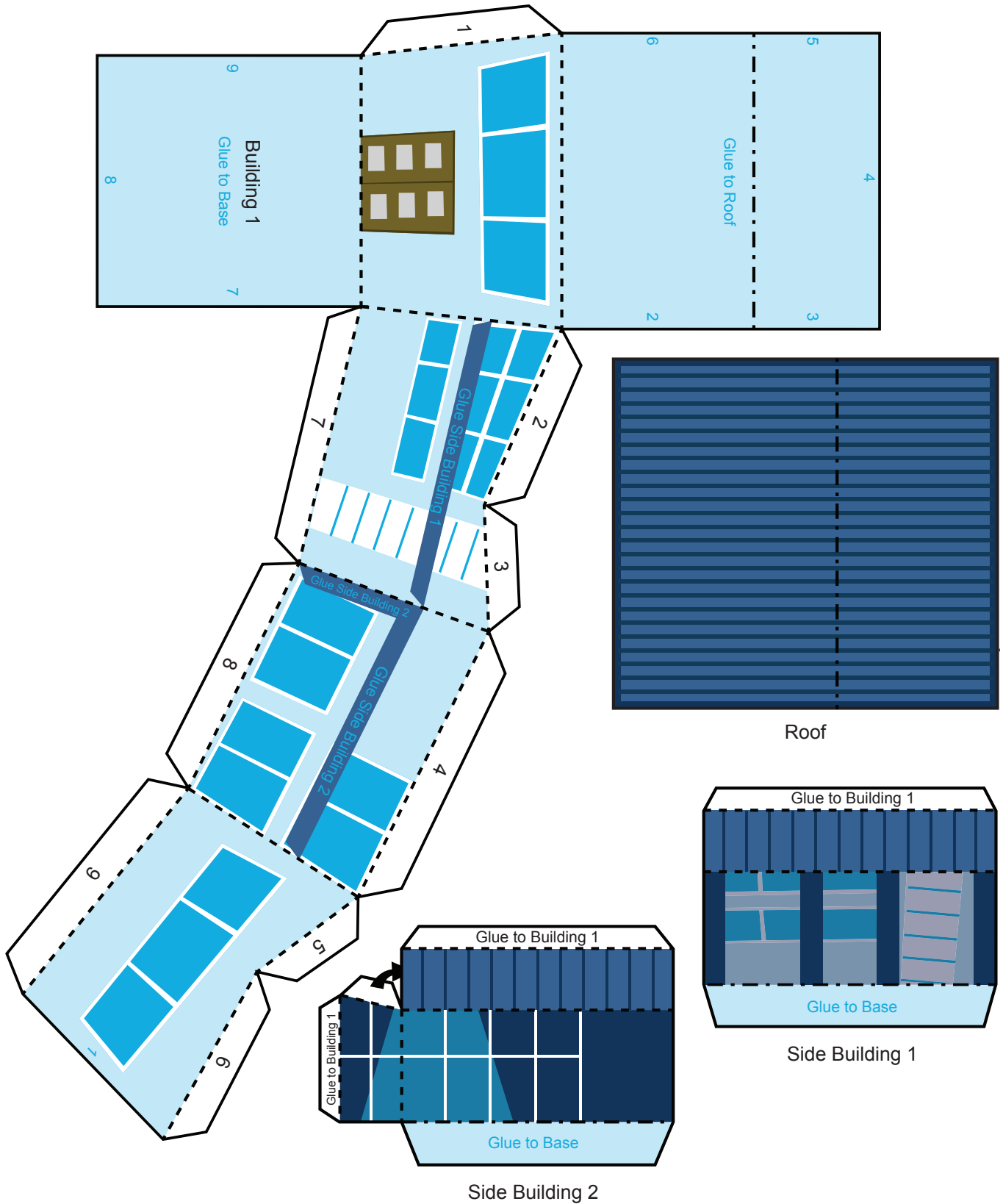
5. When the house is dry, glue it to the base.





House of Ken

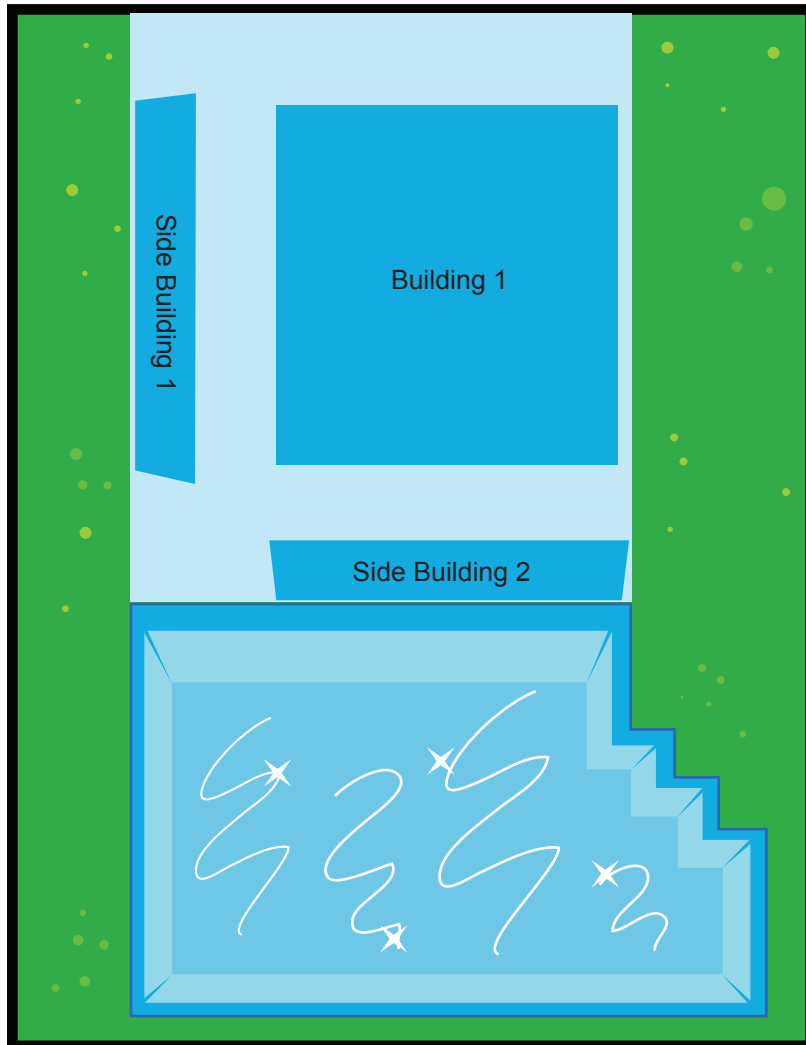
BUILDING 1, ROOF, SIDE BUILDINGS 1 & 2





House of Ken

BASE

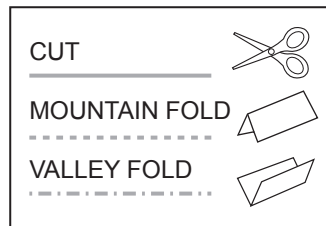




Ken

INSTRUCTIONS

1. Use safety scissors to cut out Ken.
Ask a grownup if you need help.
2. Cut along the solid lines and
fold on the dotted lines.



3. Glue or tape together the front and
back of the play pieces.

Your Ken will look like this:

