



Reminders

- Only a grown-up should use scissors and cutting knife.
- Do NOT use a real candle with this craft! Only use a battery-operated candle.

What You'll Need

- 8 1/2" x 11" cardstock (we recommend 110-pound paper for best results)
- Scissors
- Cutting knife
- Ruler
- Glue
- Battery-operated tea light candle



How To Make it

1. Print the following pages and have a grown-up cut out the pieces.
2. Lightly score along the dashed lines with a cutting knife. Use a ruler to ensure all edges are straight. Fold pieces along the dashed lines.
3. To assemble each of the paper lanterns, glue Tab A to the underside of 1, B to 2, C to 3, D to 4, E to 5, and F to 6.
4. Place battery-operated tea light candle into the top opening so that it rests at the base of the lantern.



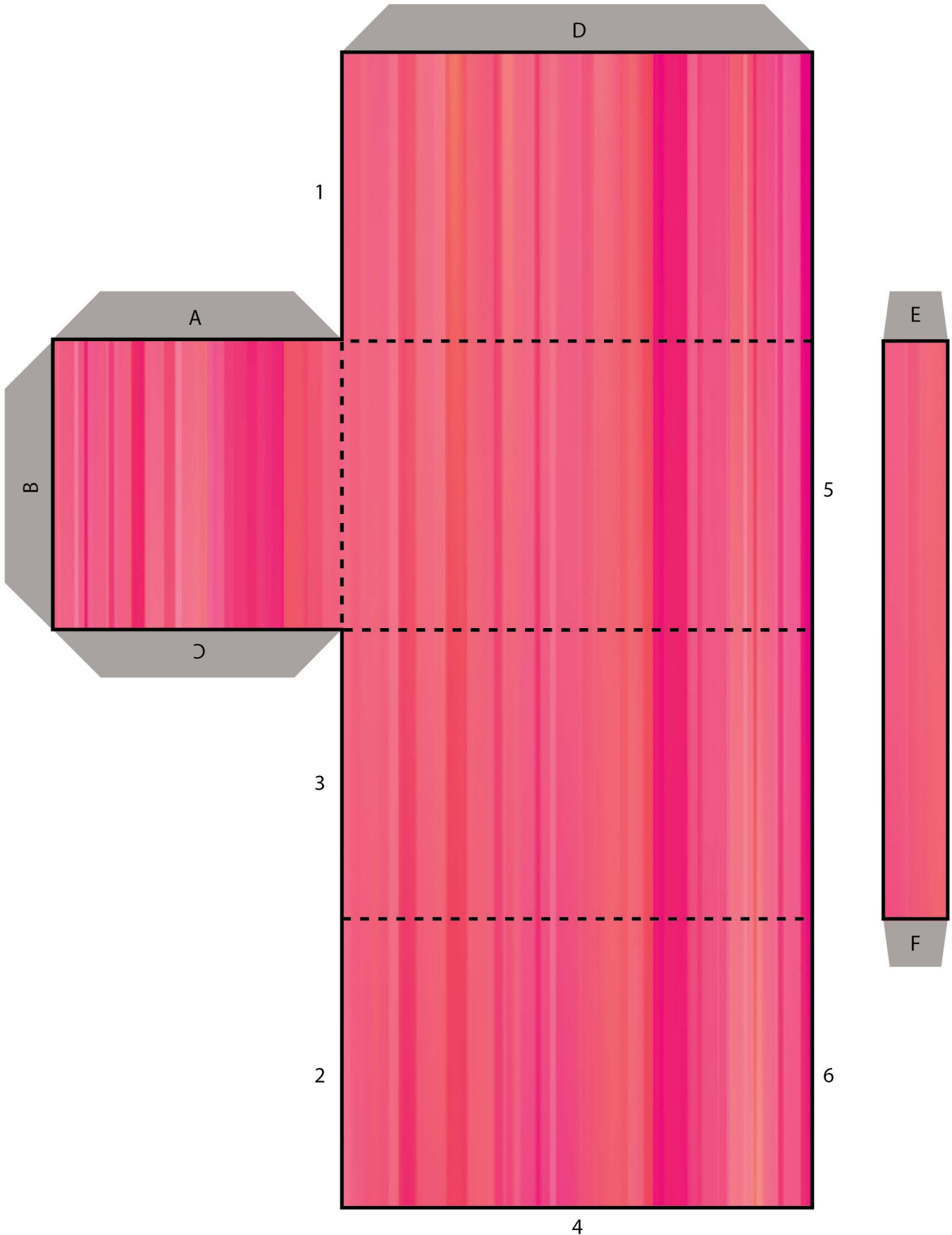
Watch Teen Beach 2 on Disney Channel

DisneyChannel.com

© Disney



PAPER LANTERNS



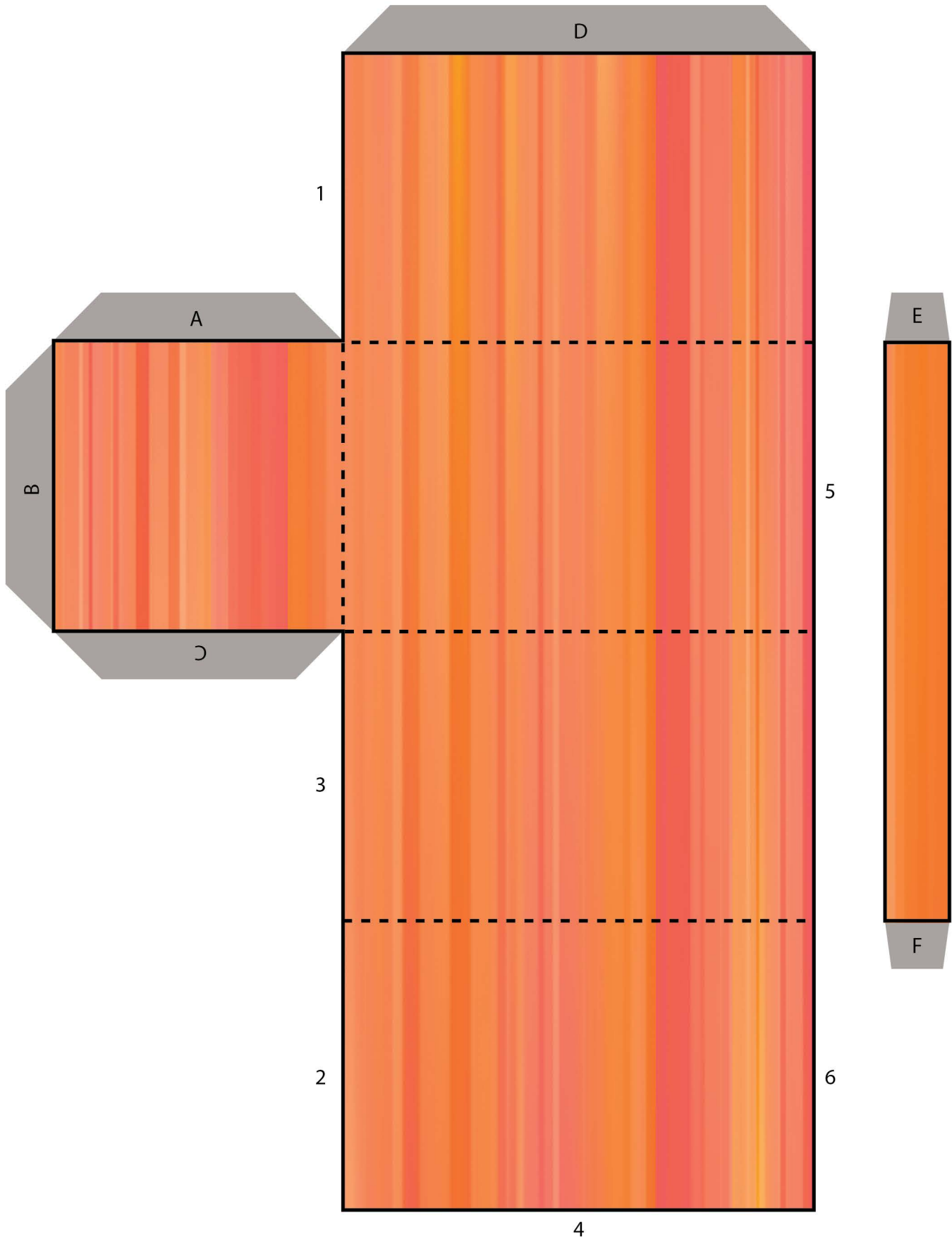
Watch Teen Beach 2 on Disney Channel

DisneyChannel.com

© Disney



PAPER LANTERNS



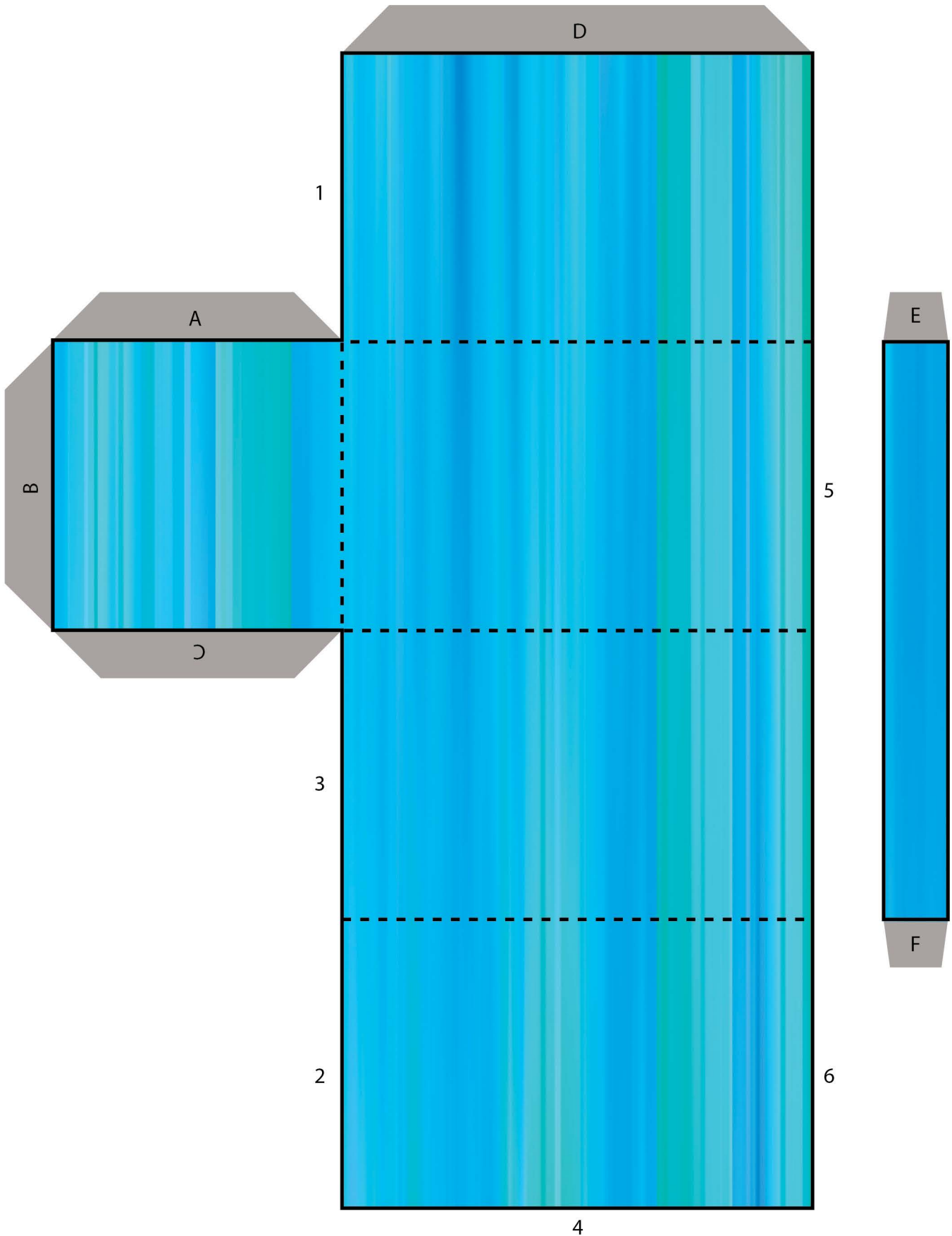
Watch Teen Beach 2 on Disney Channel

DisneyChannel.com

© Disney



PAPER LANTERNS



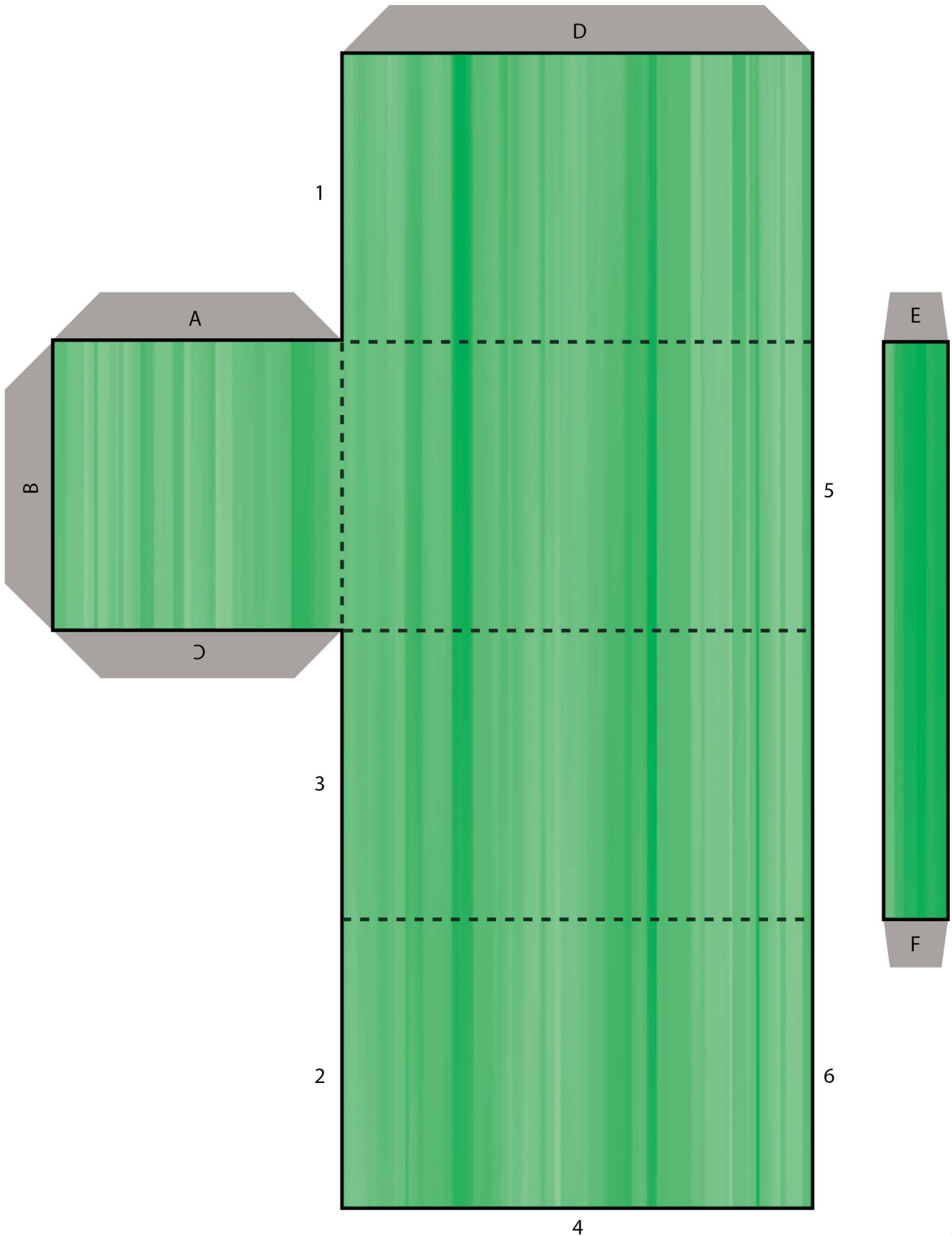
Watch Teen Beach 2 on Disney Channel

DisneyChannel.com

© Disney



PAPER LANTERNS



Watch Teen Beach 2 on Disney Channel

DisneyChannel.com

© Disney

